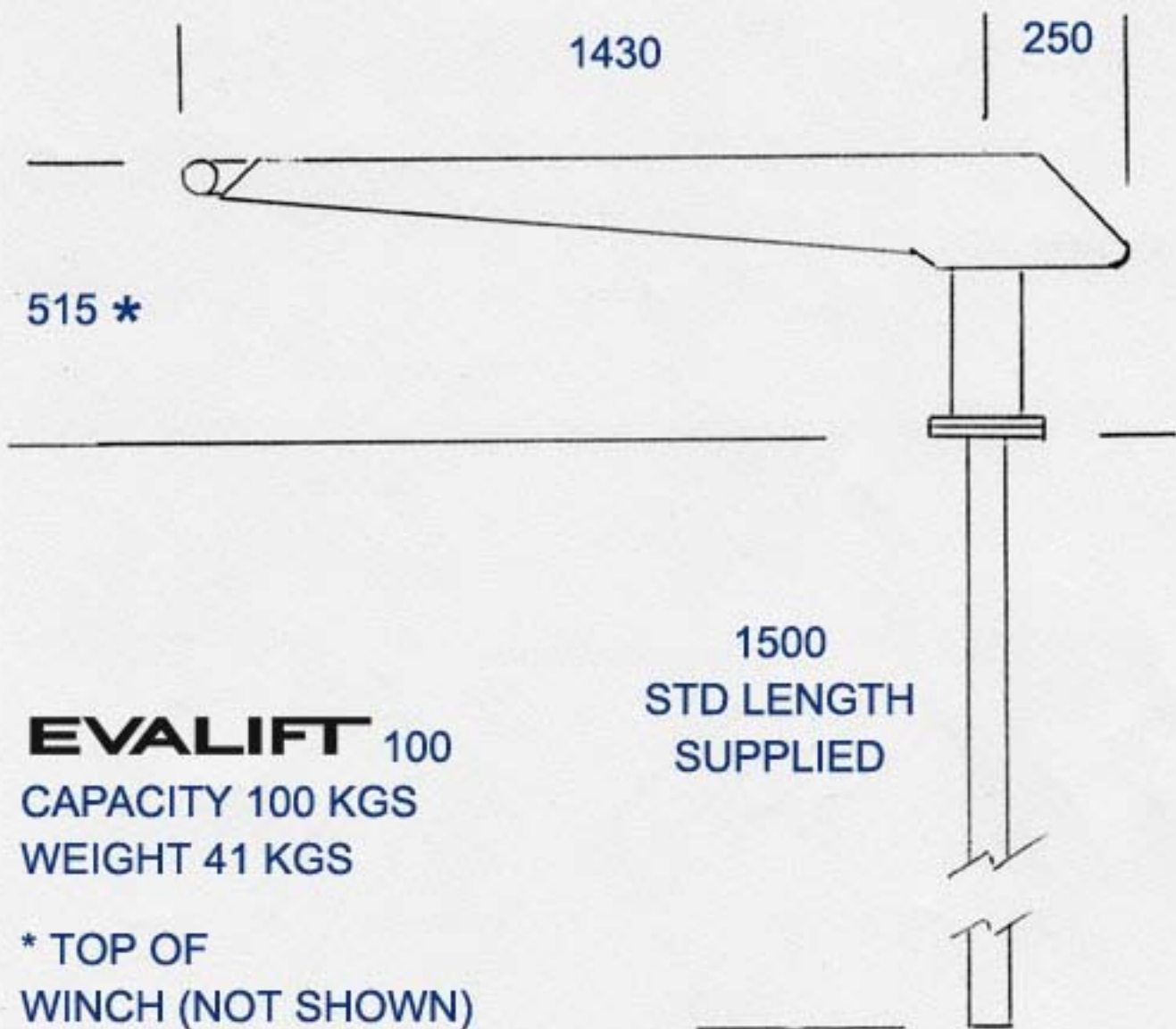


EVALIFT 100



515 *

1430

250

EVALIFT 100

CAPACITY 100 KGS

WEIGHT 41 KGS

1500
STD LENGTH
SUPPLIED

* TOP OF
WINCH (NOT SHOWN)

ADD 80MM
I.E. 595 MM

EVALIFT₁₀₀

1950

EVALIFT₁₀₀

73 MM
DIAMETER
TUBE

1650

